



METRO COTABATO WATER DISTRICT

Gov. Gutierrez Avenue, Cotabato City, P.O. Box 657
Tel. No. (064) 4211070; Telefax. No. (064) 4213009
Email Add: mcwd_procurement@yahoo.com



SUPPLEMENTAL / BID BULLETIN

ADDENDUM NO. 23-09

“Supply and Delivery of 1 Lot CC/CL Steel Pipe, CL Steel Pipe, CC/CL Steel Bend, Sleeve Type Coupling for Steel Pipe and CL Steel Spool Piece (For the proposed steel pipe re-alignment located at corner Macaguiling Road/National Highway, Sultan Kudarat, Maguindanao del Norte) (PR#23-06-0350)”

This Addendum No. 23-09 is being issued to add, clarify, modify or amend provisions in the Bidding Documents, which shall form an integral part thereof:

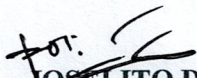
ORIGINAL	AMENDMENT
<p>Section VII. Technical Specifications (page 28)</p> <p>I. Specifications</p> <p>5. 2 pcs. – Steel Spool Piece 350mmØ (14"Ø) x 150mm (6") with Flange Both Ends (for Steel Pipe OD = 391mm)</p> <p>6. 2 pcs. – CL Steel Spool Piece 350mmØ (14"Ø) x 300mm (12") with Flange at one end (for Steel Pipe OD = 391mm)</p>	<p>Section VII. Technical Specifications (page 28)</p> <p>I. Specifications</p> <p>5. 2 pcs. – Steel Spool Piece 350mmØ (14"Ø) x 150mm (6") with 350mmØ (14"Ø) Flange Both Ends (for Steel Pipe OD = 391mm)</p> <p>6. 2 pcs. – CL Steel Spool Piece 350mmØ (14"Ø) x 300mm (12") with 350mmØ (14"Ø) Flange at one end (for Steel Pipe OD = 391mm)</p> <p>Please see separate sheet for drawings.</p>

This Supplemental/Bid Bulletin shall form part of the Bidding Documents. Any provisions in the Bidding Documents inconsistent herewith is hereby amended, modified and superseded accordingly.

For the guidance and information of all concerned.

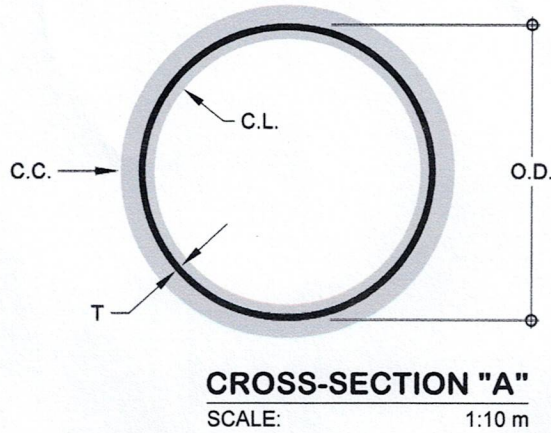
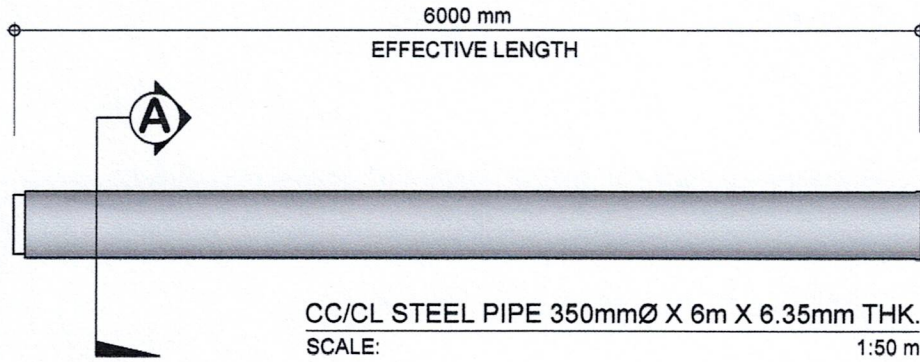
Issued this 20th of July 2023 at Metro Cotabato Water District, Cotabato City, Maguindanao.

Reviewed and approved by:


JOSELITO D. NUÑEZ, JR.
 BAC - Chairperson

D24

METRO COTABATO WATER DISTRICT
GOVERNOR GUTIERREZ AVENUE
COTABATO CITY



LEGEND:

T	=	6.35 mm	THICKNESS OF STEEL PIPE
O.D.	=	391 mm	OUTSIDE DIAMETER OF STEEL PIPE
C.L.	=	13 mm	CEMENT LINING (THICKNESS)
C.C.	=	25.4 mm	CEMENT COATING (THICKNESS)

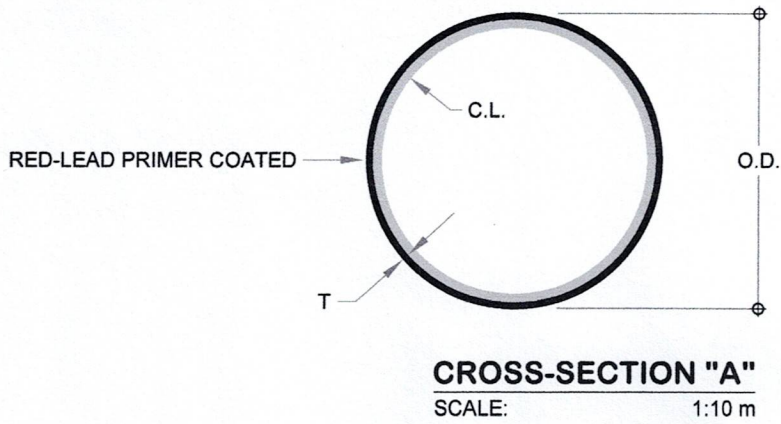
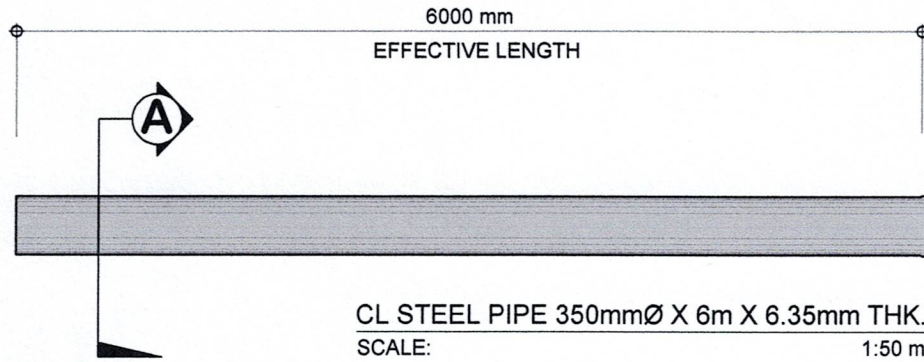
PREPARED BY:

[Signature]
LESTER J. L. ROSARIO
Engineer B

NOTED BY:

[Signature]
VENANCIO E. VILLARMA, JR.
Asst. General Manager

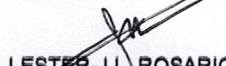
METRO COTABATO WATER DISTRICT
GOVERNOR GUTIERREZ AVENUE
COTABATO CITY



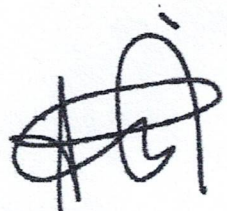
LEGEND:

T	=	6.35 mm	THICKNESS OF STEEL PIPE
O.D.	=	391 mm	OUTSIDE DIAMETER OF STEEL PIPE
C.L.	=	13 mm	CEMENT LINING (THICKNESS)

PREPARED BY:

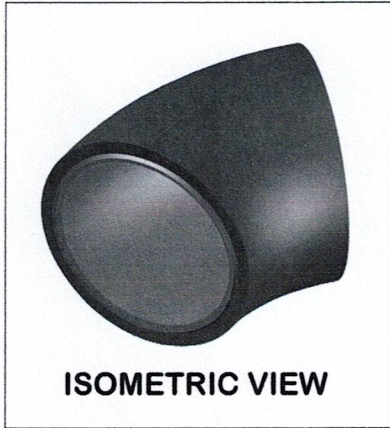

LESTER-J. L. ROSARIO
Engineer B

NOTED BY:


VENANCIO E. VILLARMA, JR.
Asst. General Manager

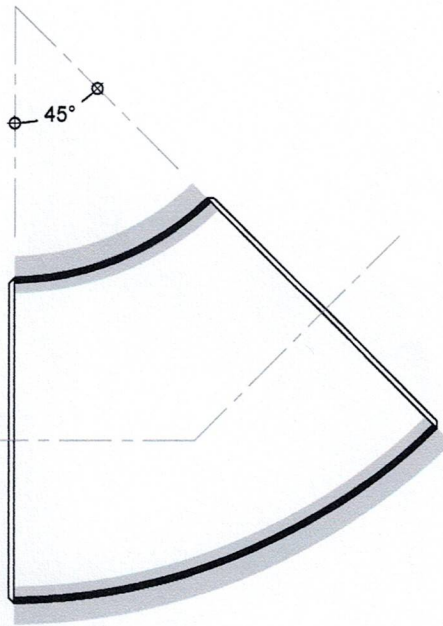
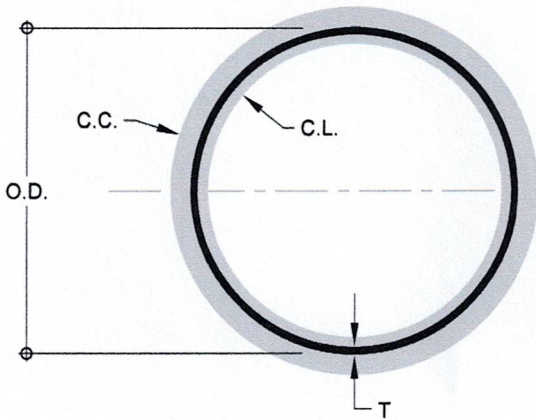
METRO COTABATO WATER DISTRICT
GOVERNOR GUTIERREZ AVENUE
COTABATO CITY

CC/CL STEEL BEND 350mmØ X 45°
(O.D. = 391mm)



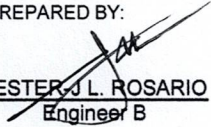
LEGEND:

- | | | | |
|------|---|---------|--------------------------------|
| T | = | 6.35 mm | THICKNESS OF STEEL PIPE |
| O.D. | = | 391 mm | OUTSIDE DIAMETER OF STEEL PIPE |
| C.L. | = | 13 mm | CEMENT LINING (THICKNESS) |
| C.C. | = | 25.4 mm | CEMENT COATING (THICKNESS) |




SIDE VIEW

PREPARED BY:

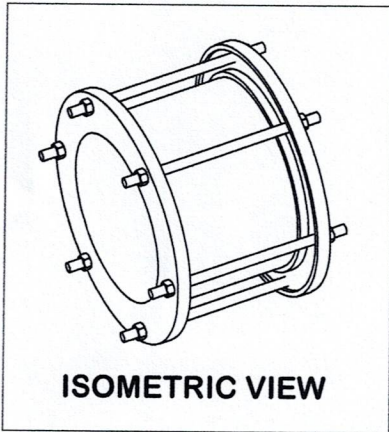

LESTER J.L. ROSARIO
Engineer B

NOTED BY:

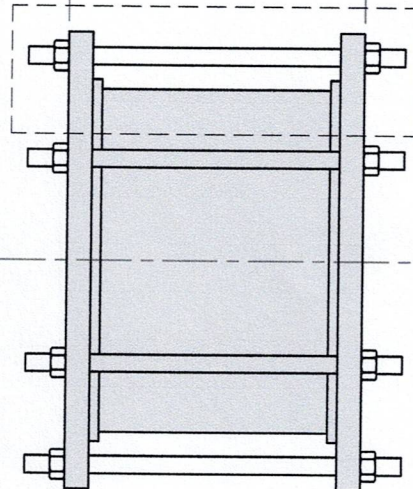
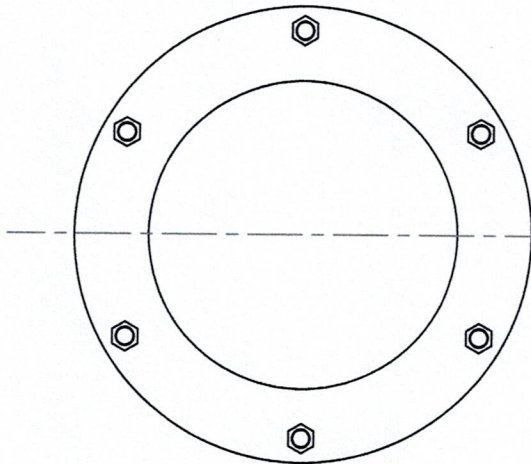
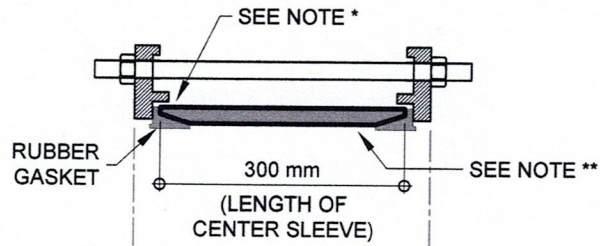

VENANCIO E. VILLARMA, JR.
Asst. General Manager

METRO COTABATO WATER DISTRICT
GOVERNOR GUTIERREZ AVENUE
COTABATO CITY

SLEEVE TYPE COUPLING 350mmØ X 300mm W/
STAINLESS STEEL BOLTS, NUTS & PLAIN WASHERS
(FOR STEEL PIPE W/ OD = 391mm)



CROSS-SECTION VIEW



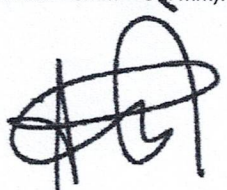
NOTE * : ALLOWANCE OF 3mm ALL AROUND THE INTERNAL DIAMETER OF SLEEVE TYPE COUPLING FOR STEEL PIPE MUST BE MADE.

NOTE ** : MINIMUM INTERNAL DIAMETER OF SLEEVE TYPE COUPLING IS PIPE O.D. + 6mm (391mm + 6mm = 397mm).

PREPARED BY:

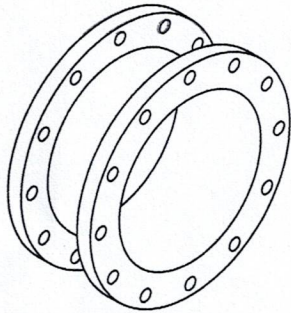
LESTER J. L. ROSARIO
Engineer B

NOTED BY:

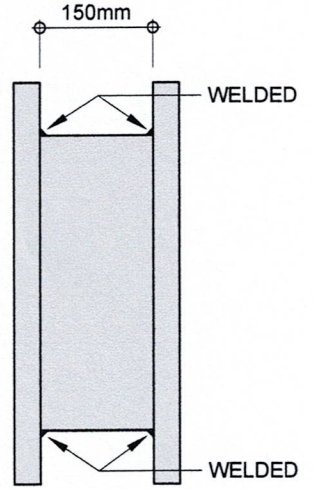
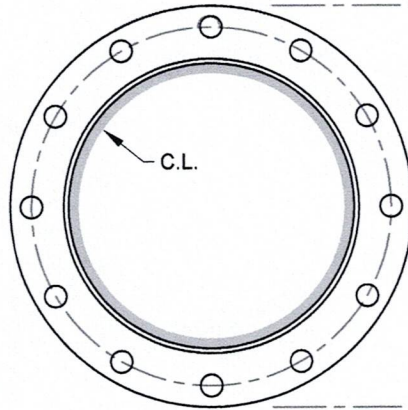

VENANCIO E. VILLARMA, JR.
Asst. General Manager

METRO COTABATO WATER DISTRICT
GOVERNOR GUTIERREZ AVENUE
COTABATO CITY

CL STEEL SPOOL PIECE 350mmØ X 150mm W/ FLANGE BOTH ENDS
(FOR STEEL PIPE W/ OD = 391mm)



ISOMETRIC VIEW



SIDE VIEW

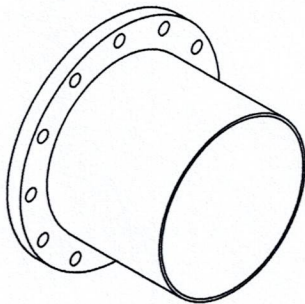
SCALE: 1:10 m

LEGEND:

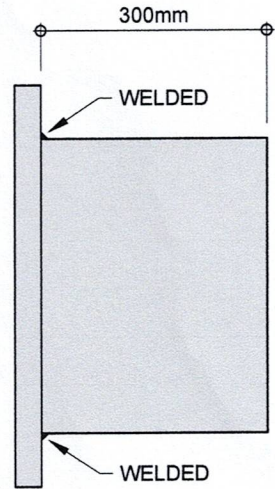
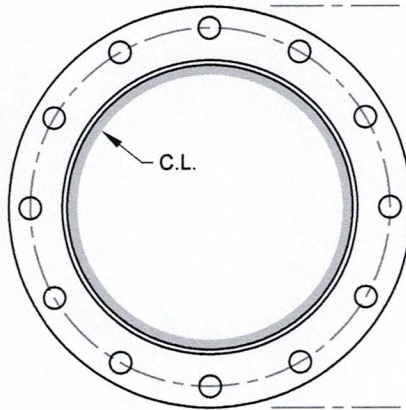
C.L. = 13 mm

CEMENT LINING (THICKNESS)

CL STEEL SPOOL PIECE 350mmØ X 300mm W/ FLANGE AT ONE END
(FOR STEEL PIPE W/ OD = 391mm)



ISOMETRIC VIEW



SIDE VIEW

SCALE: 1:10 m

PREPARED BY:

LESTER J. L. ROSARIO
Engineer B

NOTED BY:

VENANCIO E. VILLARMA, JR.
Asst. General Manager